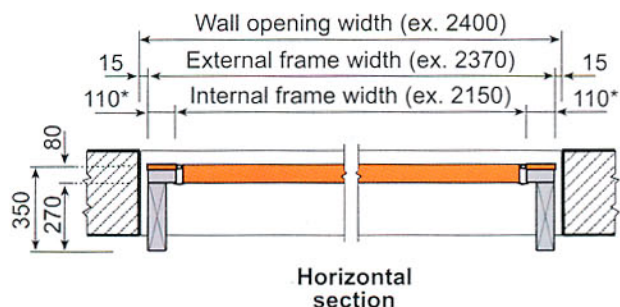


Installation Types and Overall Dimensions.

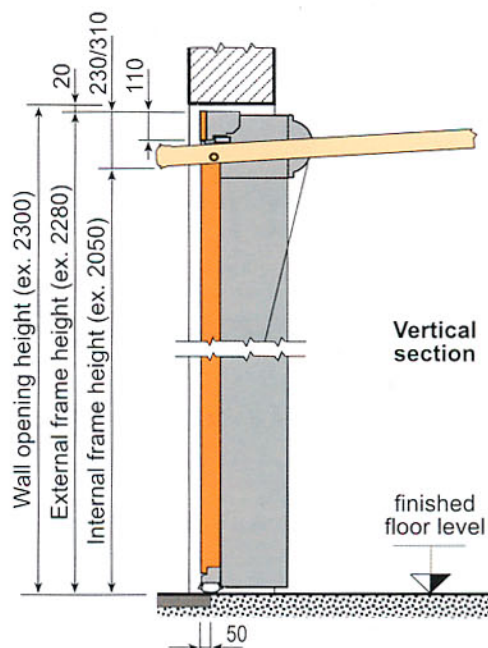
INSTALLATION BETWEEN BRICKWORK

Dimensions in mm



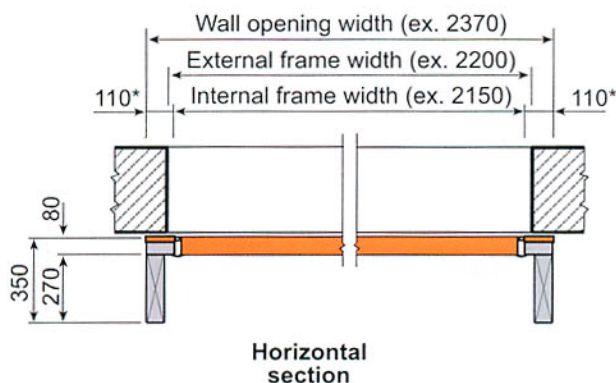
* : it becomes 135 mm in the cases shown in the dimensional tables.

Aperture width = Internal frame width - 50 mm.



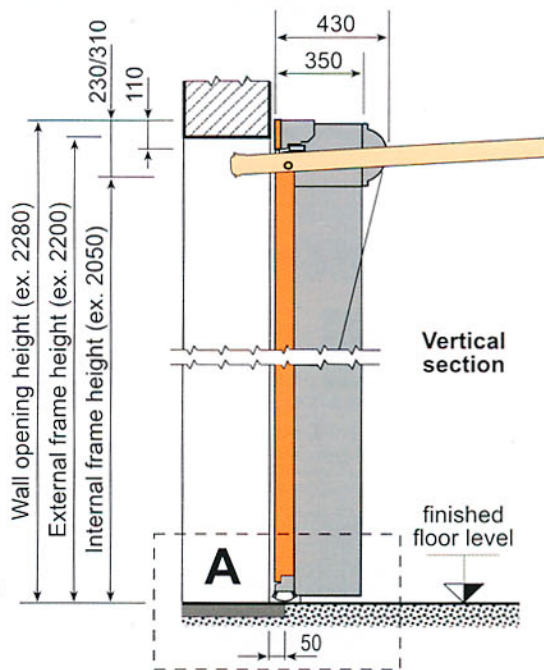
INSTALLATION BEHIND BRICKWORK

Dimensions in mm

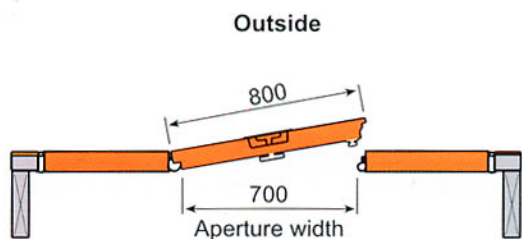


* : it becomes 135 mm in the cases shown in the dimensional tables.

Aperture width = Internal frame width - 50 mm.

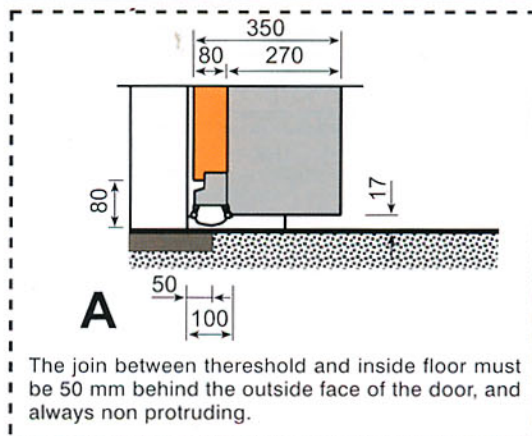


PEDESTRIAN DOOR



Height between floor and lower pedestrian door edge = 83 mm

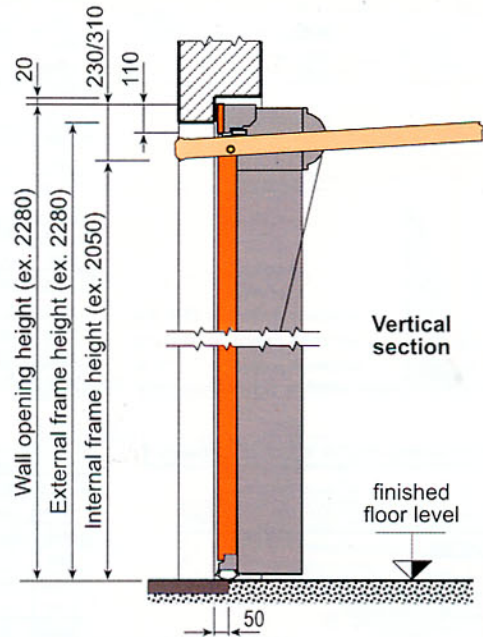
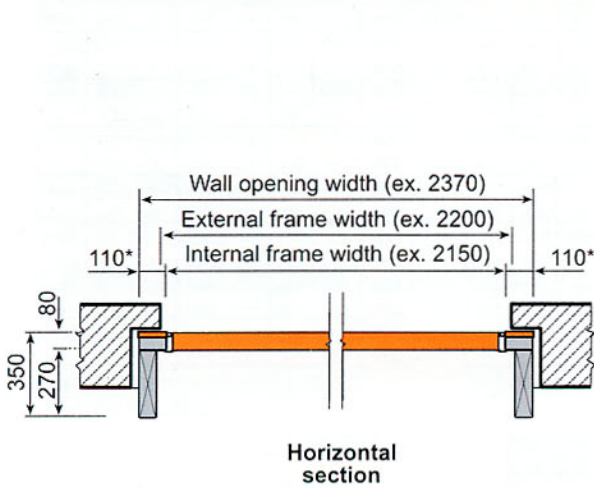
DETAIL OF THE DOOR THRESHOLD



The joint between threshold and inside floor must be 50 mm behind the outside face of the door, and always non protruding.

INSTALLATION BEHIND BRICKWORK, WITH RECESSED OPENING

Dimensions in mm

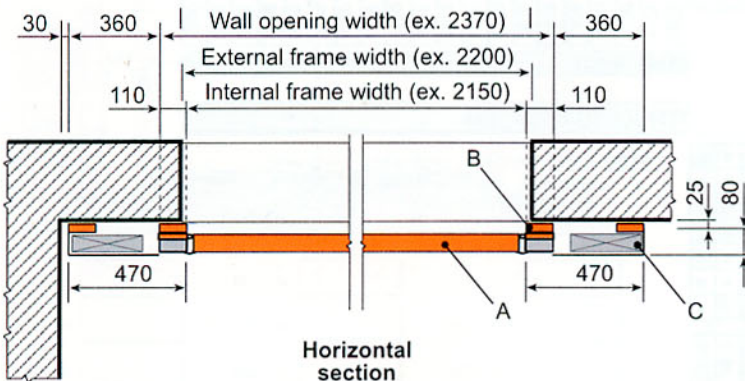
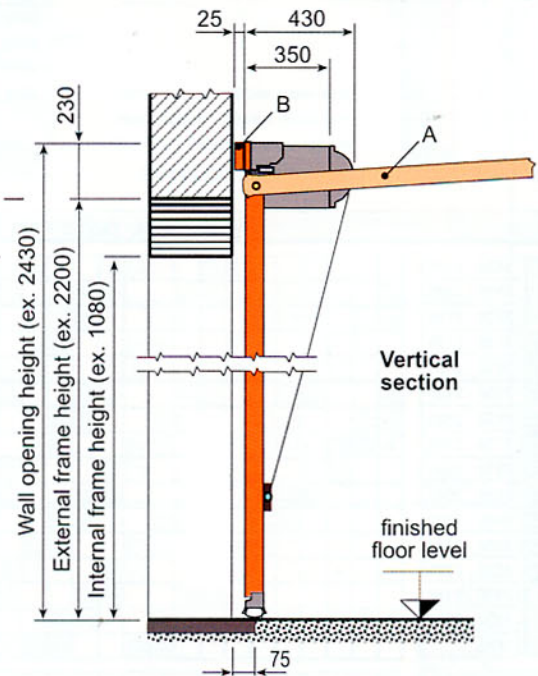
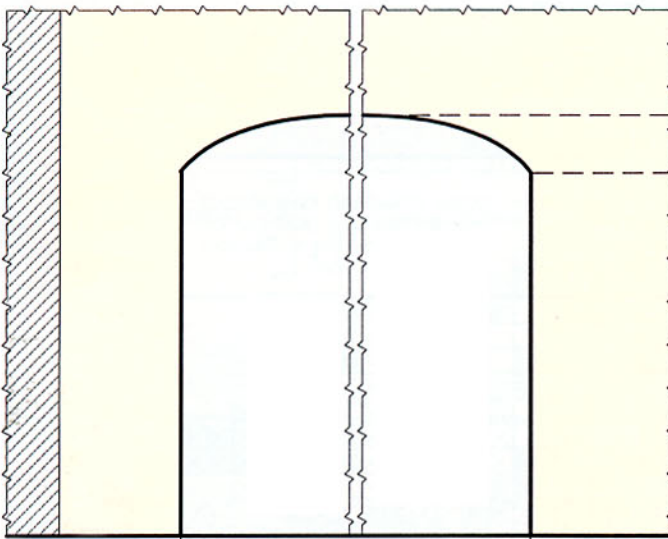


* : it becomes 135 mm in the cases shown in the dimensional tables.

Aperture width = Internal frame width - 50 mm.

INSTALLATION BEHIND BRICKWORK IN AN ARCHED LINTEL

Dimensions in mm



- A: door leaf with non protruding mechanic
- B: wooden thickening boards (25 mm)
- C: 90° rotated counterweights, lined up with the frame (only with 110 mm frame uprights)

Aperture width = Internal frame width - 50 mm